

# Neopuff™

## INFANT T-PIECE RESUSCITATOR

PRODUCT CATALOGUE



**Fisher & Paykel**  
HEALTHCARE

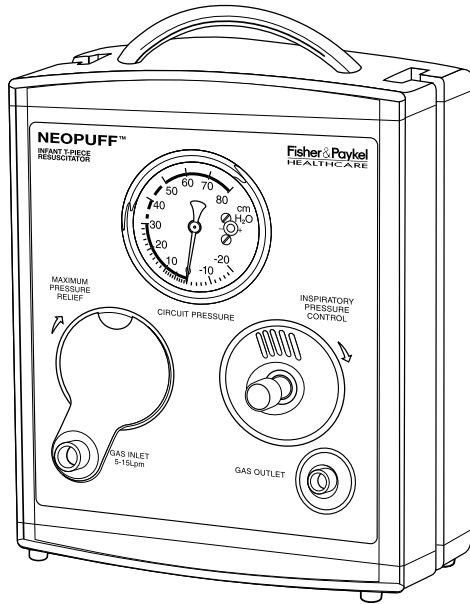


# CONTENTS

---

	Section
<b>Neopuff™ Infant T-Piece Resuscitator</b>	<b>1</b>
Neopuff™ Infant T-Piece Resuscitator (Stand Alone)	
Neopuff™ Infant T-Piece Resuscitator (Infant Warmer Integrated Module)	
<b>Neopuff™ T-Piece and Resuscitation Circuit</b>	<b>2</b>
Single Use Adjustable T-Piece	
Humidified Resuscitation Circuit	
<b>Neonatal Resuscitation Masks</b>	<b>3</b>
Single Use Neonatal Resuscitation Masks	
<b>Resuscitation Kits</b>	<b>4</b>
Single Use Resuscitation Kits	
<b>Neopuff™ Accessories</b>	<b>5</b>
Reusable Test Lung	
Reusable Gas Supply Line	
Gas Blenders	
Humidifier	
<b>Neopuff™ Mounting Options</b>	<b>6</b>
Pole Mount	
Wall Mount	
Pole and Rail Central Mount	
<b>Part Number Index</b>	<b>7</b>

Neopuff™ Infant T-Piece Resuscitator Stand Alone



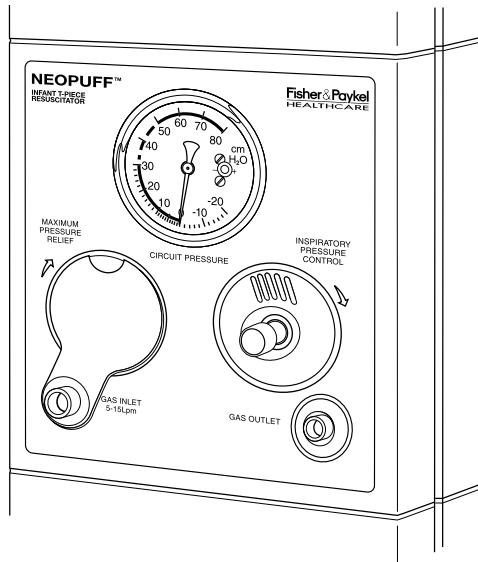
The Neopuff™ Infant T-Piece Resuscitator is a light weight, stand alone resuscitator unit suitable for Delivery Suite, Post Natal Wards, Community Theaters, Special Care Baby units and Neonatal Intensive Care units. Current resuscitation guidelines recommend the use of T-Piece device with the potential benefits of achieving controlled target PIP and delivering consistent PEEP to help establish FRC and improve lung volume.

The Neopuff™ Infant T-Piece Resuscitator is easy to use ensuring that irrespective of users' experience, training and fatigue level, the baby will receive safe and consistent breath patterns.

Stand Alone Unit

Product Code	Description
RD900ADU	Neopuff™ Infant T-Piece Resuscitator - DANISH
RD900AEU	Neopuff™ Infant T-Piece Resuscitator - ENGLISH
RD900AFU	Neopuff™ Infant T-Piece Resuscitator - FRENCH
RD900AGU	Perivent™ Infant T-Piece Resuscitator - GERMAN
RD900AJU	Neopuff™ Infant T-Piece Resuscitator - JAPANESE
RD900ALU	Neopuff™ Infant T-Piece Resuscitator - ITALIAN
RD900AMU	Neopuff™ Infant T-Piece Resuscitator - FINNISH
RD900ANU	Neopuff™ Infant T-Piece Resuscitator - DUTCH
RD900ASU	Neopuff™ Infant T-Piece Resuscitator - SPANISH
RD900ATU	Neopuff™ Infant T-Piece Resuscitator - PORTUGUESE
RD900AVU	Neopuff™ Infant T-Piece Resuscitator - NORWEGIAN
RD900AWU	Neopuff™ Infant T-Piece Resuscitator - SWEDISH
RD900AZU	Neopuff™ Infant T-Piece Resuscitator - CHINESE

Neopuff™ Infant T-Piece Resuscitator IW Module

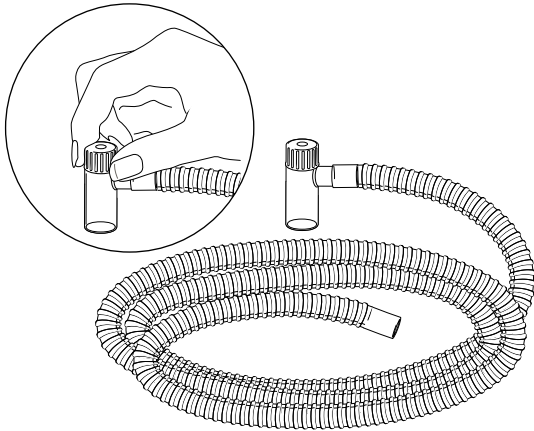


The Neopuff™ Infant T-Piece Resuscitator is also available as an integrated module inserted into the front of the CosyCot™ Infant Warmer.

An added feature to the CosyCot™ Infant Warmer, this allows easy access for the operator in resuscitating the patient, especially during transport.

Integrated Neopuff™ Module

Product Code	Description
900IW130D	Neopuff™ Infant T-Piece Resuscitator IW Module - DANISH
900IW130E	Neopuff™ Infant T-Piece Resuscitator IW Module - ENGLISH
900IW130F	Neopuff™ Infant T-Piece Resuscitator IW Module - FRENCH
900IW130G	Perivent™ Infant T-Piece Resuscitator IW Module - GERMAN
900IW130J	Neopuff™ Infant T-Piece Resuscitator IW Module - JAPANESE
900IW130L	Neopuff™ Infant T-Piece Resuscitator IW Module - ITALIAN
900IW130M	Neopuff™ Infant T-Piece Resuscitator IW Module - FINNISH
900IW130N	Neopuff™ Infant T-Piece Resuscitator IW Module - DUTCH
900IW130S	Neopuff™ Infant T-Piece Resuscitator IW Module - SPANISH
900IW130T	Neopuff™ Infant T-Piece Resuscitator IW Module - PORTUGUESE
900IW130V	Neopuff™ Infant T-Piece Resuscitator IW Module - NORWEGIAN
900IW130W	Neopuff™ Infant T-Piece Resuscitator IW Module - SWEDISH
900IW130Z	Neopuff™ Infant T-Piece Resuscitator IW Module - CHINESE

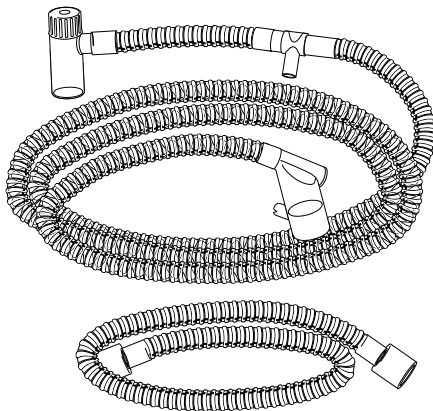


**Single Use Adjustable T-Piece**

The adjustable T-Piece is provided with a valve that can be manipulated to achieve desired PEEP level.

The single use adjustable T-Piece includes connected patient supply line.

Product Code	Description	
900RD010	Single Use Adjustable T-Piece	10/bx



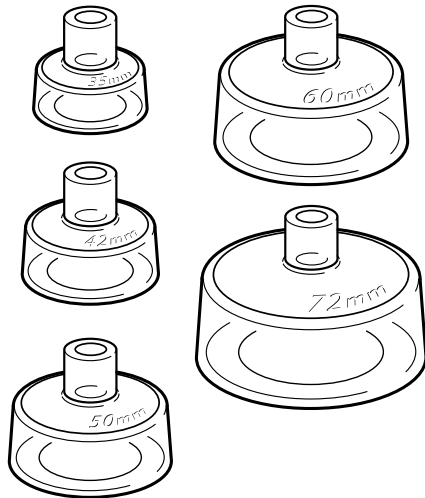
**Single Use Humidified Resuscitation T-Piece**

The Fisher & Paykel Humidified Resuscitation T-Piece with adjustable PEEP valve is provided with a heated circuit designed to deliver warm, humidified gas to an infant during resuscitation. It is compatible with MR730 and MR850 Fisher & Paykel Humidifiers.

Product Code	Description	
900RD110	Single Use Humidified Resuscitation Kit	10/bx

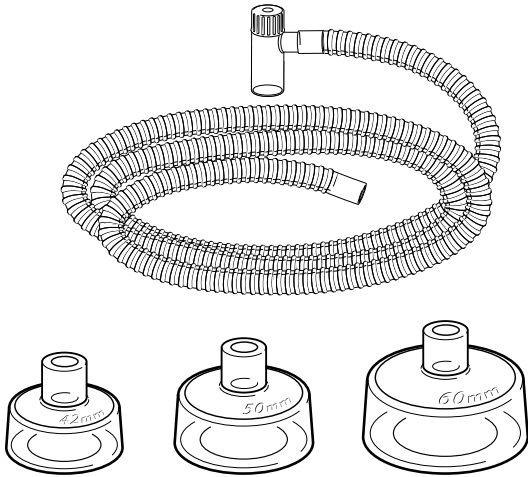
**Single Use Neonatal Resuscitation Masks**

The Fisher and Paykel Neonatal Resuscitation Mask is easy to use. It is designed to facilitate an ideal seal on the infants face. The wide size range includes masks for premature neonates.



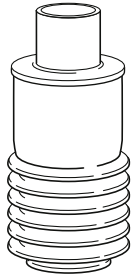
Product Code	Description	
RD800-EN	Neonatal Resuscitation Mask Starter Kit	5 sizes/bx
RD803-10	Neonatal Resuscitation Mask 35mm (1.38in)	10/bx
RD804-10	Neonatal Resuscitation Mask 42mm (1.65in)	10/bx
RD805-10	Neonatal Resuscitation Mask 50mm (1.97in)	10/bx
RD806-10	Neonatal Resuscitation Mask 60mm (2.36in)	10/bx
RD807-10	Neonatal Resuscitation Mask 72mm (2.83in)	10/bx

**Single Use Resuscitation Kits**



The Adjustable T-Piece Resuscitation Kit includes a neonatal resuscitation mask. There are 3 combinations to suit the 3 different mask sizes.

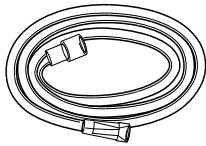
Product Code	Description	
900RD014-10	Adjustable T-Piece + 42mm Mask	10kits/bx
900RD015-10	Adjustable T-Piece + 50mm Mask	10kits/bx
900RD016-10	Adjustable T-Piece + 60mm Mask	10kits/bx



**Reusable Test Lung**

The reusable test lung is made of silicone and is NOT autoclavable. The test lung is latex free.

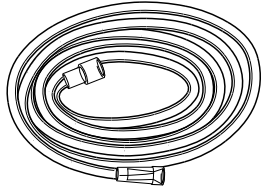
Product Code	Description
RD020-01	Reusable Test Lung 1/bx



**Reusable Gas Supply Line**

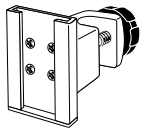
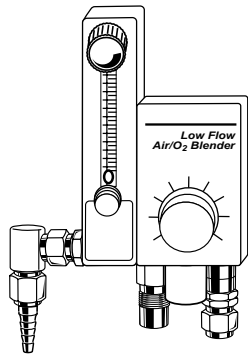
- Length 310mm (12.2") with 10mm M gas inlet connection

Product Code	Description
900RD008	Gas Supply Line (Short) 10/bx

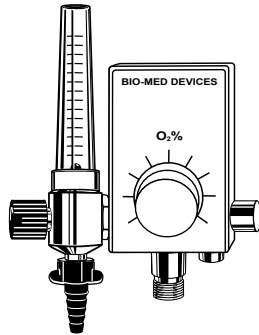


- Length 2100mm (82.7") with 10mm M gas inlet connection

Product Code	Description
900RD009	Gas Supply Line (Long) 10/bx



Bird MBlender Pole Mount Bracket



### Gas Blenders

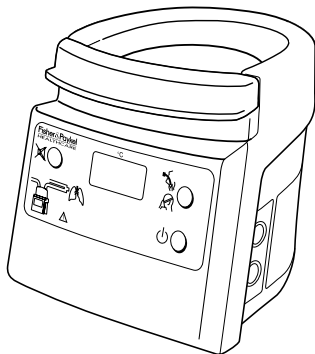
Gas Blenders are available on an individual basis. They come complete with color coded nipples and control knobs.

- Flowrate 2-16 L/min (Bird)  
0-15 L/min (Bio-Med)
- Includes flowmeter nipples (green or white)

Note: Requires 900IW320 Bird Bracket Blender Complete to be fitted to the CosyCot™ Infant Warmer. Gas hoses not included. Please refer to Fisher & Paykel Infant Warming Catalogue

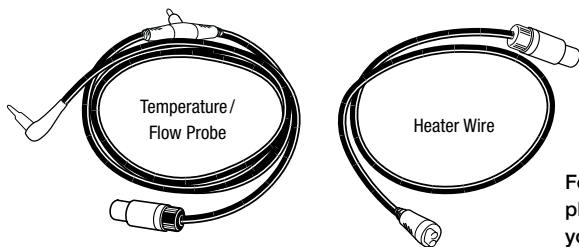
Product Code	Description
BC501-01	Bird MBlender 2-16LPM DISS
BC502-01	Bird MBlender 2-16LPM NIST
BC506-01	Blender Oxy/Air Bio-Med (DISS) green
BC507-01	Blender Oxy/Air Bio-Med (DISS) white
BC510-01	Bird MBlender Pole Mount Bracket

### Humidifier

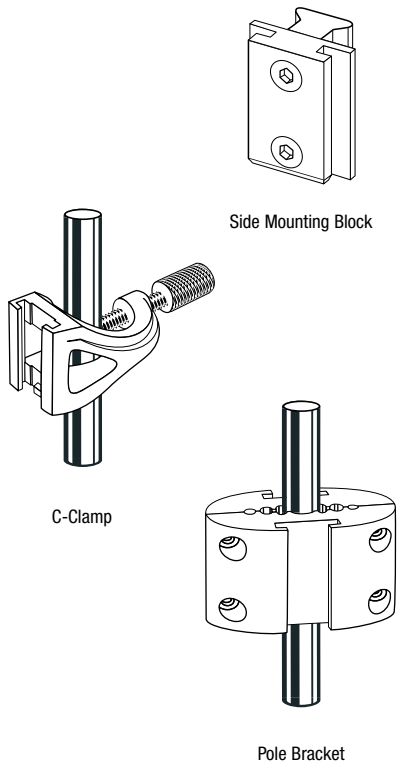


MR850 Humidifier

HUMIDIFICATION	
Product Code	Description
MR850	Humidifier
900MR801	Heater Wire Adaptor MR850
900MR823	Heater Wire/Temp Probe Kit
900MR868	Probe Temp/Flow Ang 1600mm

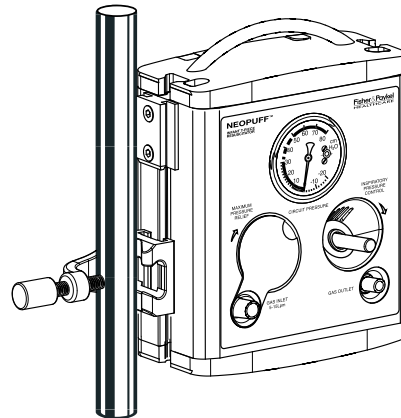


For additional information on humidification devices and accessories, please refer to the Fisher & Paykel Humidification Catalogue or contact your Fisher & Paykel Representative.



**Pole Mount**

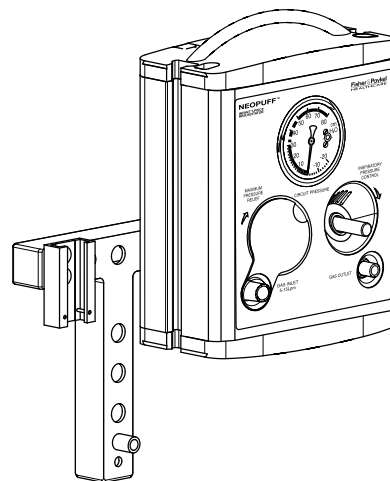
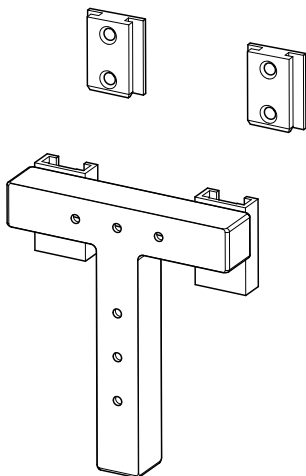
The Neopuff™ Infant T-Piece Resuscitator can be mounted on a pole using a side mounting block and a C-Clamp or a Pole Bracket



Product Code	Description
900RD301	Side Mounting Block
900MR170	C-Clamp
900MR030	Pole Bracket

**Wall Mount**

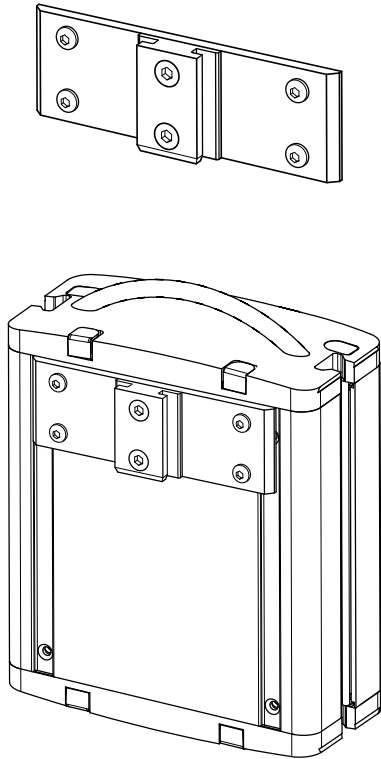
The Neopuff™ Infant T-Piece Resuscitator can be mounted on the wall using 2 mounting tongues and a wall mount bracket.



Product Code	Description
900RD302	Wall Mount Bracket (with 2 mounting tongues)

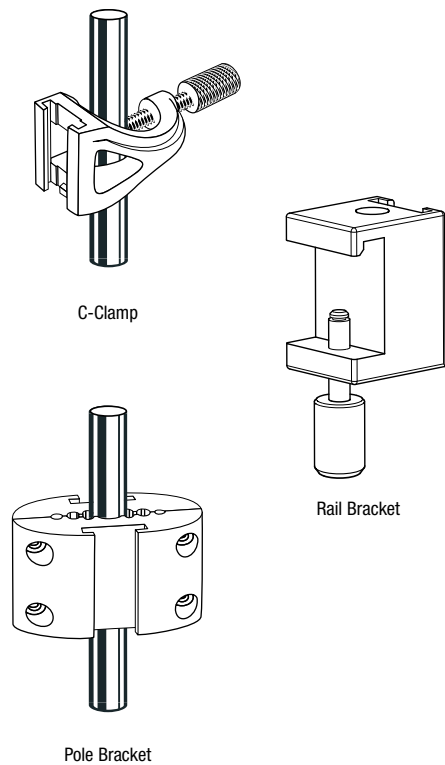
**Pole and Rail Central Mount**

For mounting the Neopuff™ Infant T-Piece Resuscitator centrally on a pole or on standard rails (2.5-5.5cm x 1cm / 0.98-2.17in x 0.39in), a central mounting block can be affixed to the back of the unit and will fit the Fisher & Paykel bracket and clamps.



Product Code	Description
RD050-01	Neopuff Central Mounting Block <b>Includes:</b> 1 mounting tongue 1 mounting bar 2 M6 x 16 csk screws 4 M6 btn head screws

Product Code	Description
900MR170	C-Clamp
900MR030	Pole Bracket
900MR088	Rail Bracket



Part Number	Description	Section
<b>Neopuff™ Infant T-Piece Resuscitator</b>		<b>1</b>
RD900	Neopuff™ Infant T-Piece Resuscitator Stand Alone	1.1
900IW130	Neopuff™ Infant T-Piece Resuscitator Integrated Module	1.2
<b>Neopuff™ T-Piece and Resuscitation Circuit</b>		<b>2</b>
900RD010	Single Use Adjustable T-Piece 10/bx	2.1
900RD110	Single Use Humidified Resuscitation Kit 10/bx	2.2
<b>Neonatal Resuscitation Masks</b>		<b>3</b>
RD800-EN	Neonatal Resuscitation Mask Starter Kit 5sizes/bx	3.1
RD803-10	Neonatal Resuscitation Mask 35mm (1.38in) 10/bx	3.1
RD804-10	Neonatal Resuscitation Mask 42mm (1.65in) 10/bx	3.1
RD805-10	Neonatal Resuscitation Mask 50mm (1.97in) 10/bx	3.1
RD806-10	Neonatal Resuscitation Mask 60mm (2.36in) 10/bx	3.1
RD807-10	Neonatal Resuscitation Mask 72mm (2.83in) 10/bx	3.1
<b>Resuscitation Kits</b>		<b>4</b>
900RD014-10	Adjustable T-Piece + 42mm Mask 10kits/bx	4.1
900RD015-10	Adjustable T-Piece + 50mm Mask 10kits/bx	4.1
900RD016-10	Adjustable T-Piece + 60mm Mask 10kits/bx	4.1

Part Number	Description	Section
<b>Neopuff™ Accessories</b>		<b>5</b>
RD020-01	Reusable Test Lung 1/bx	
900RD008	Gas Supply Line (Short) 10/bx	
900RD009	Gas Supply Line (Long) 10/bx	
BC501-01	Bird MBlender 2-16LPM DISS	
BC502-01	Bird MBlender 2-16LPM NIST	
BC506-01	Blender Oxy/Air Bio-Med (DISS)	
BC507-01	Blender Oxy/Air Bio-Med (DISS)	
BC510-01	Bird MBlender Pole Mount Bracket	
MR850	Humidifier	
900MR801	Heater Wire Adaptor MR850	
900MR823	Heater Wire/Temp Probe Kit	
900MR868	Probe Temp/Flow Ang 1600mm	
<b>Neopuff™ Mounting Options</b>		<b>6</b>
900RD301	Side Mounting Block	
900MR170	C-Clamp	
900MR030	Pole Bracket	
900RD302	Wall Mount Bracket (with 2 mounting tongues)	
RD050-01	Neopuff Central Mounting Block	
900RD301	Side Mounting Block	
900MR170	C-Clamp	
900MR030	Pole Bracket	
900MR088	Rail Bracket	



